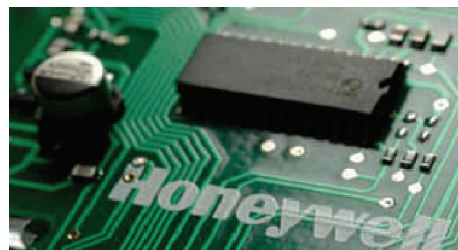
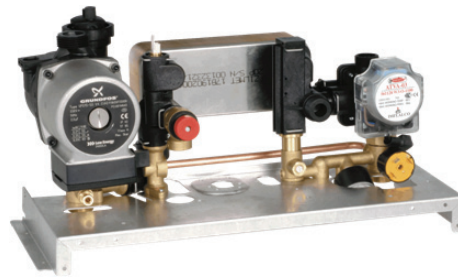


PENSOTTI® Solenne Series

Available in 3 distinct styles, **Solenne**, series boilers will accommodate most residential and light commercial heat and hot water applications. All **Solenne** boilers are wall-mounted, fully condensing with sealed combustion systems and a choice of 3 multiple venting options.

Unlike many other boilers, **Solenne** boilers are fully packaged making installation simpler, quicker, and less expensive. No matter which style you choose, every **Solenne** boiler offers a long list of standard features:

- Clean, appliance quality, metal cabinet
- Quality stainless steel heat exchanger
- Premix stainless steel gas burner
- Self diagnostic control system with digital display, heat and domestic water temperature control, freeze protection, circulator exercise function and outdoor temperature reset capability
- Dependable negative pressure gas valve
- Reliable direct spark ignition system
- Quiet, electronic variable speed blower
- Oversized stainless steel and copper brazed plate domestic hot water heat exchanger with electronic flow switch (combi and micro storage boilers)
- Built-in 3 speed circulator with automatic air vent
- Built-in expansion tank
- Internal low water safety switch
- Simple push button conversion to LP gas
- Convenient piping kit with isolation valves
- Service friendly design provides quick, easy access to all internal components
- Warranty; 2 year on parts and 10 years on the stainless steel heat exchanger



PENSOTTI® Solenne Series



95% Efficient
Fully Condensing
Natural or LP Gas Fired
2 Year Parts Warranty
10 Year Heat Exchanger Warranty

Pensotti LLC

34 Coffin Ave
PO Box 3358
Brewer, ME 04412
Tel: (207) 942-3636
Fax: (207) 942-3737

www.pensottiboiler.com



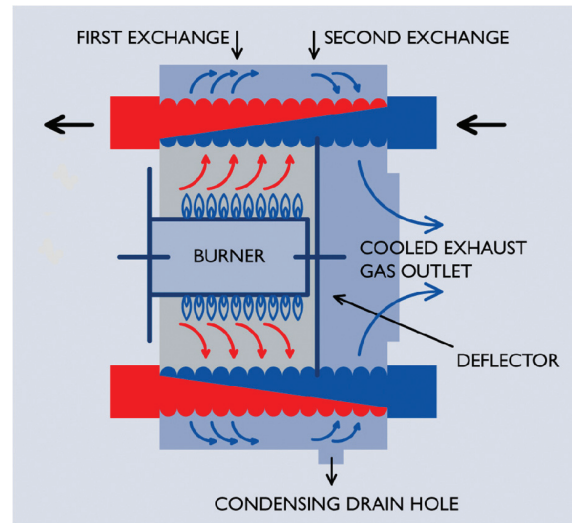
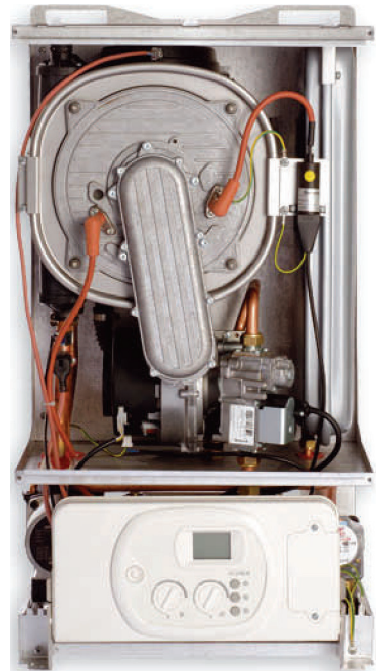
Condensing Gas Boilers

PENSOTTI® Solenne Series

PCH Series

Solenne PCH series boilers are heating only, wall mounted, gas condensing boilers, perfect for all hydronic heating systems. They perform effectively and efficiently with all types of systems including: radiant floor, panel radiators, conventional baseboard and hydro-air systems.

If domestic hot water is also desired the **Solenne PCH** series includes an internal 3-way valve, copper pipe fittings and a pre-wired temperature sensor for effortless connection to an indirect fired water heater.



PCC Series

The **Solenne PCC** series are combination heat and instantaneous domestic hot water boilers. They can be used in conjunction with all hydronic heating systems and will also produce domestic hot water from the integrated stainless steel and copper brazed plate heat exchanger. Combining both heating and domestic hot water in one small appliance, the **Solenne PCC** series dramatically reduces the installation space that is typically required with traditional systems. With its whisper quiet operation and compact size, the **Solenne** series boilers can be installed nearly anywhere within the home.

MODEL	BTUH INPUT MAXIMUM	BTUH INPUT MINIMUM	WEIGHT (LBS.)	HEIGHT	WIDTH	DEPTH	DHW FLOW RATE @ 63° F RISE	HEAT TEMP. RANGE	DHW TEMP. RANGE	CONC. VENT SIZE
PCH 18B	61,419	8,014	80	28.7"	16.1"	11.2"	N/A	86-176°F	95-160°F	3.15"/5"
PCH 34B	116,013	34,121	88	28.7"	16.1"	12.2"	N/A	86-176°F	95-160°F	3.15"/5"
PCH 50B	174,019	40,946	114	27.6"	19.3"	18.5"	N/A	86-176°F	95-160°F	3.15"/5"
PCC 34	116,013	34,121	88	28.7"	16.1"	12.2"	3.77	86-176°F	95-160°F	3.15"/5"

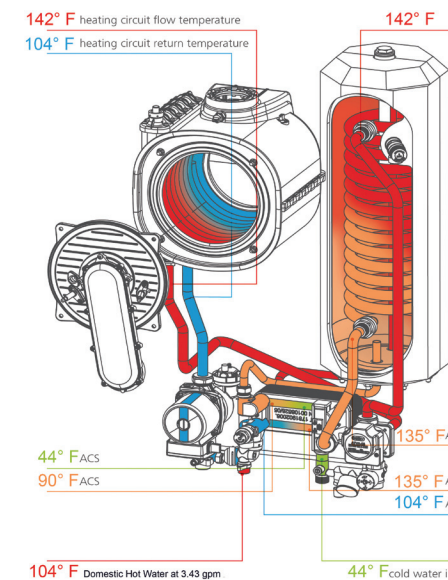
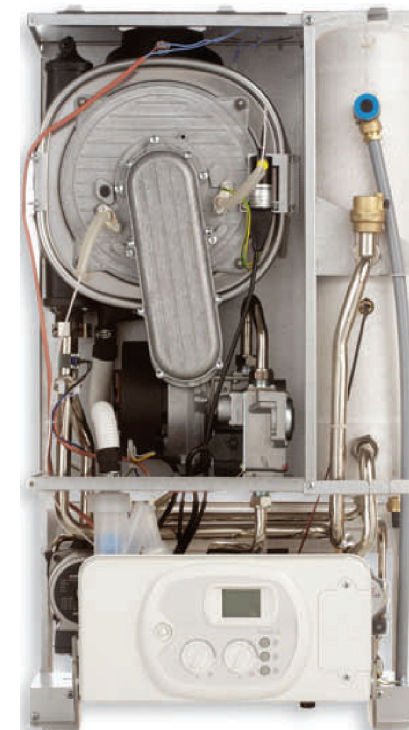
PENSOTTI® Solenne Series

PCI Series

The **Solenne PCI** series is a wall-mounted, fully condensing, heat and micro-storage gas boiler with an internal stainless steel indirect water heater. Incorporating our patented Duopass system, the **PCI** series boiler will provide an abundant quantity of domestic hot water. This patented system consists of a stainless steel indirect water heater and a brazed plate heat exchanger.

Upon a demand for domestic hot water the **Solenne PCI** series boiler responds immediately, re-heating the water in the storage tank and pre-heating the entering cold water through the brazed plate heat exchanger.

With a ready supply of stored domestic hot water and the pre-heating of cold water entering the indirect water heater the **PCI** series has a dramatically increased recovery rate when compared to that of any standard combi-boiler. The **Solenne PCI** series is a viable alternative to many applications where an external indirect water heater would normally be required; saving valuable space while reducing material and installation costs.



MODEL	BTUH INPUT MAXIMUM	BTUH INPUT MINIMUM	WEIGHT (LBS.)	HEIGHT	WIDTH	DEPTH	DHW FLOW RATE @ 63° F RISE	DHW STORAGE (GALS.)	HEAT TEMP. RANGE	DHW TEMP. RANGE	CONC. VENT SIZE
PCI 18/8	61,419	8,014	114.5	31.1"	17.7"	13"	3.1 GPM	2.11	86-176°F	95-160°F	3.15"/5"
PCI 34/20	116,013	34,121	146	35.5"	19.5"	18.9"	4.5 GPM	5.30	86-176°F	95-160°F	3.15"/5"